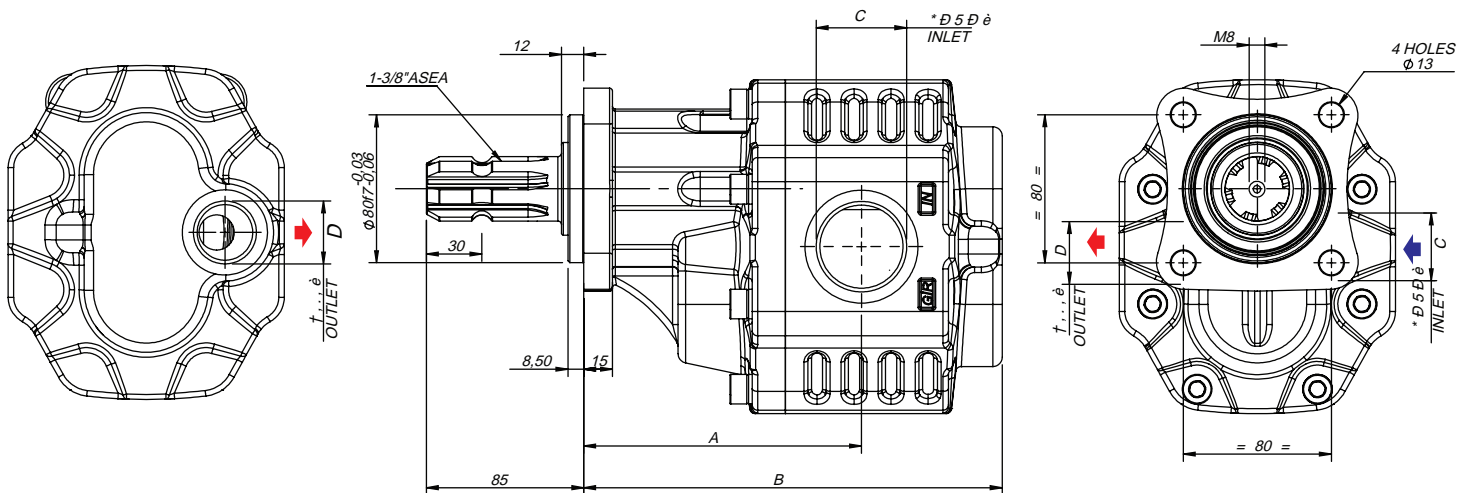
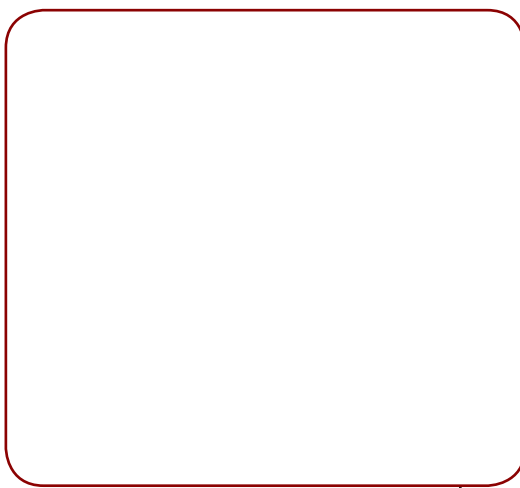
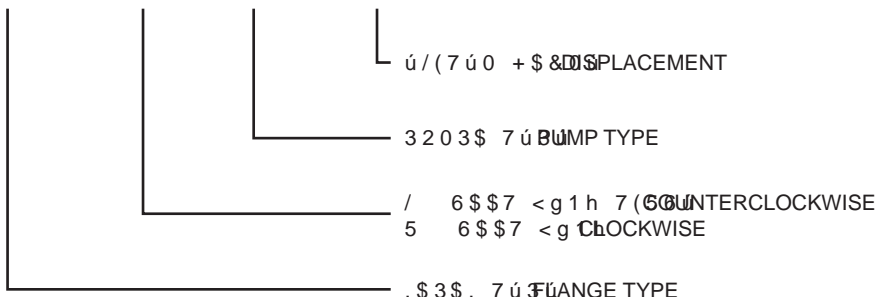


\*\$11 6(5161 'ié/í 3203\$ 40 SERIES GEAR PUMP

\$6(\$ 6(5, (\*\$11  
1-3/8"

.2'/\$0\$ 6ú67( CODE SYSTEMS  
XXX - R(L) XXX - XX



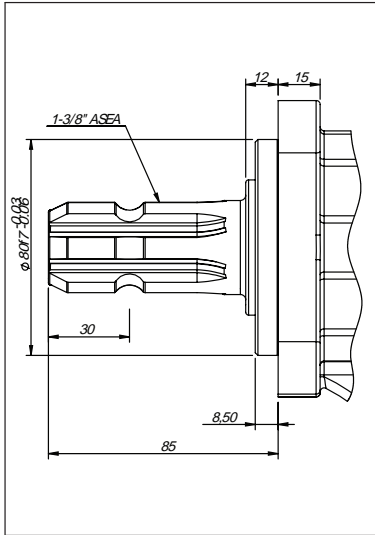
7(.1í. '\$7\$ TECHNICAL DATA

Kod Code	íOHWLP +DFPL <sub>A</sub> Displacement FP UHY	B PP	C *í5íé INLET	£,,é OUTLET	\$ë,5/, WEIGHT kg
\$6(\$ 5 / *\$1ú			* μ	* μ	
\$6(\$ 5 / *\$1ú			* μ	* μ	
\$6(\$ 5 / *\$1ú			* μ	* μ	
\$6(\$ 5 / *\$1ú			* μ	* μ	
\$6(\$ 5 / *\$1ú			* μ	* μ	
\$6(\$ 5 / *\$1ú			* μ	* μ	

\*\$11

\*\$11 6(5, (6

## 7 ( . 1 í . ' \$ 7 \$ TECHNICAL DATA



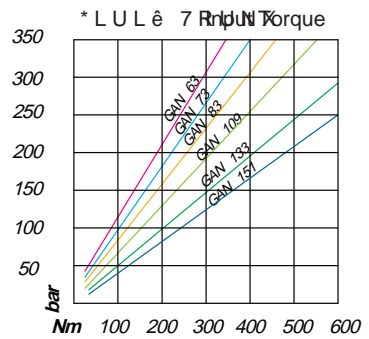
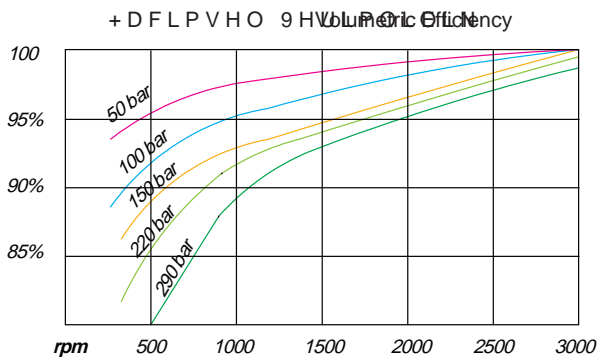
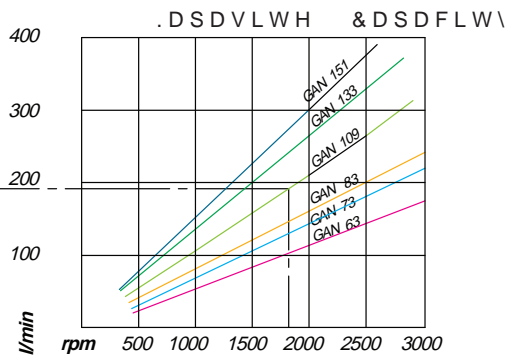
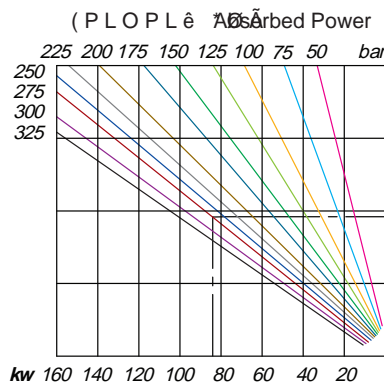
é \$ ) 7 ² = ( / / í . / ( 5 í  
SHAFT FEATURES

* LUL ê % DV Þ Q F Þ Inlet Pressure	EDU
£ DO Þ ê PD 9 LVNR ] LV Operating Viscosity Range	F 6 W
6 Þ Y Þ 6 Þ FDN O Þ i Þ Ç & f W ) OXLG 7HP SHUDW XUH Ç & f W	

### 7 \$ 96 í < ( ' í / ( 1 ) í / 75 ( \* HUL ' Ò Q Ø ê RECOMMENDED FILTER (Return Or Outlet)

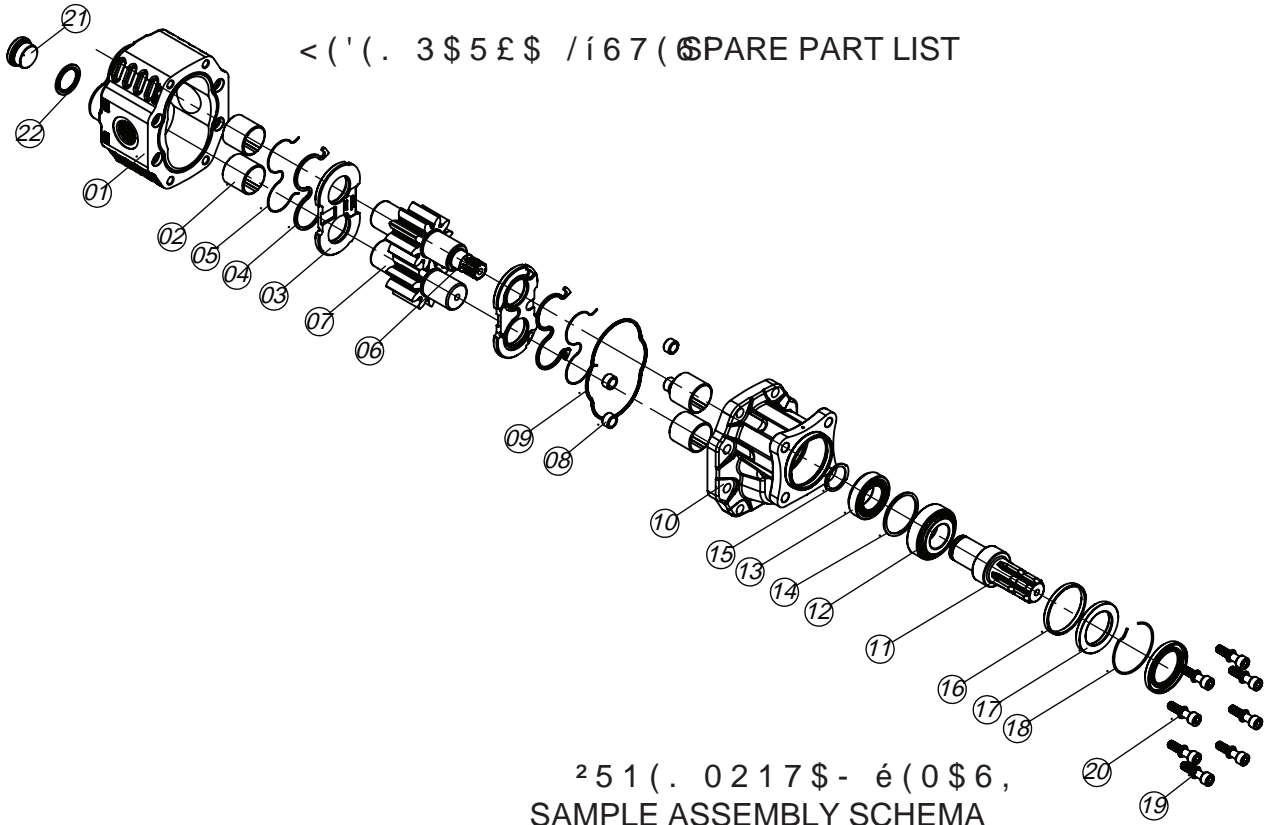
£ DO Þ ê PD % DV Þ Q F Þ Working Pressure	1 \$ 6	, 6 2	) LO Witer H » [
" EDU			- P
≥ 200 bar			- P

## ' í < \$ \* 5 \$ 0 / \$ 5 DIAGRAMS

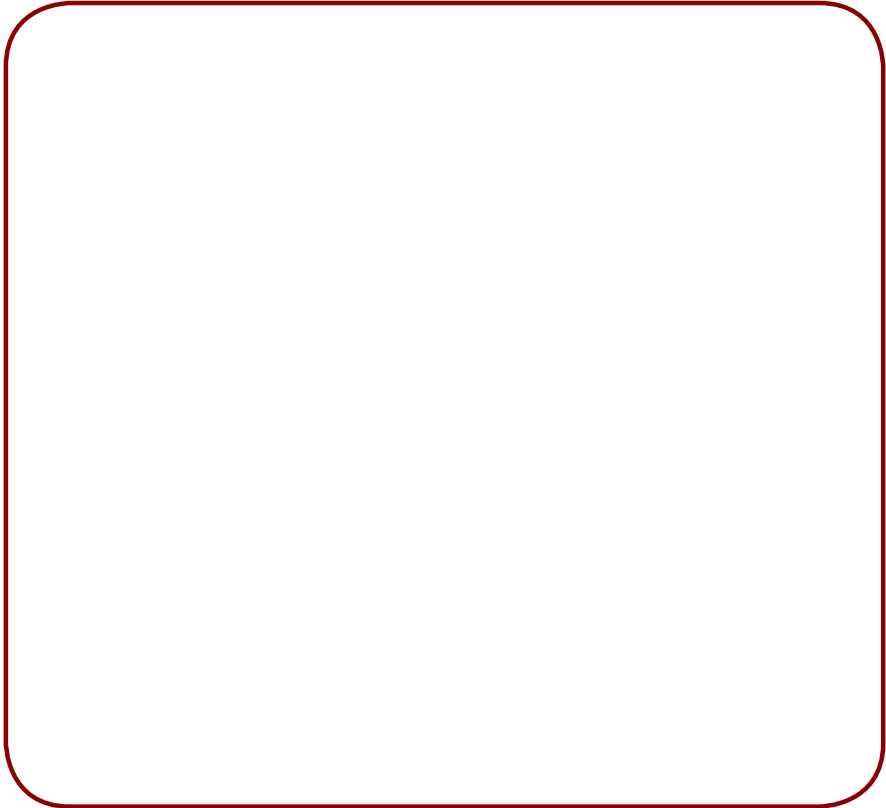


\* \$ 1 í 6 ( 5 , ( 6

7 í 3 TYPE	* \$ 1 í 63	* \$ 1 í 109	* \$ 1 í 133	* \$ 1 í 151	* \$ 1 í 175	* \$ 1 í 200
< HU ' Hù L ü W L U P H F P ³ Q Displacement						
0 DNVLPXP 6 • UHNOL d DO x ü PD % DV x Q F x Max. Continuous Operating Pressure	EDU					
0 D [ + x ] Max. Speed	PLQ					



Pos	Code No	Description	qty
		* Y G HBody	
		% X U Bush	
		3 O H Plate	
		0 5 L QM-Ring	
		0 5 L Q J 6 H J M R Q Segment	
		7 D K U L N Drive Gear	
		3 L Q \ R Q Pinion Gear	
		* Y G H < * N V Body Thimble	
		2 5 L Q Q-Ring	
		g Q . D S Brint Cover	
		\$ G D S W   U A d p W Shaft	
		5 X O P Bearing	
		5 X O P Bearing	
		5 X O P D Q \$ U B a r k S pacer Washer	
		6 H J P D Segment	
		. H o H 3-X Seal Washer	
		. H o H Seal	
		7 H O 6 H J W D Segment	
		& L Y D B W I D	
		3 X O Washer	
		.   U 7 D - S D ng Plug	
		3 X O Washer	



\* \$ 1 í 6 ( 5 , ( 6

. ( £ ( 7 \$ . , 0 , SEAL KIT

. 2' CODE NO	7 D Q x D Description . R P S O H . H o H C o m p l e t e Seal Kit ú o H U Content	. X Y Y H W 7 D \$ o p o e P l u g s	
		*	
*	μ	1 P	
*	μ	1 P	
*	μ	1 P	
0		1 P	

