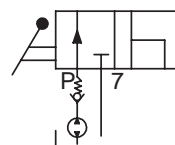
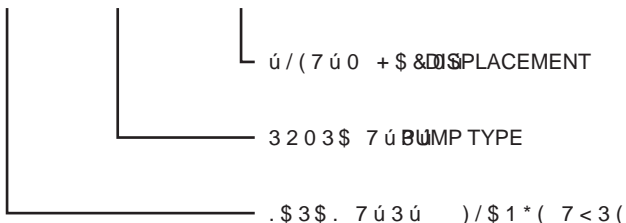


*\$11 6(5161 0(. \$11. 9\$/) 'ié/í 3203\$
 GANI 40 SERIES GEAR PUMP WITH MECHAICAL VALVE

'30 6(5, (*\$11

.2'/\$0\$ 6ú67(∞∞DE SYSTEMS

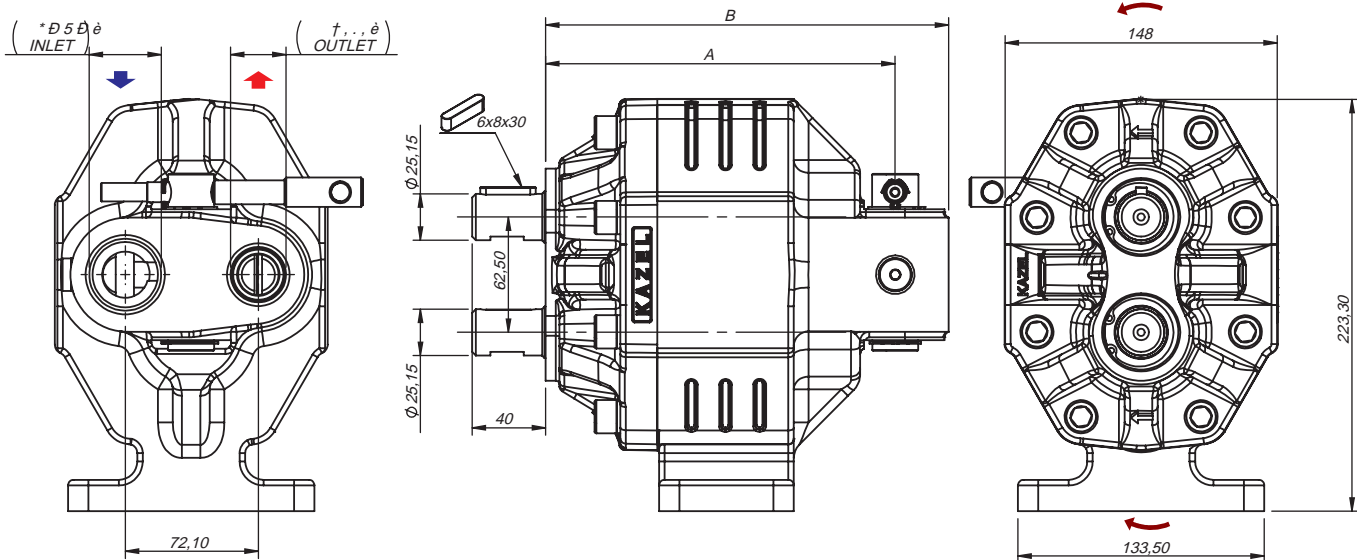
XXX - XX - XXX



+LGUROLN SRPSD V
 Hydraulic pump symbol

*\$11 6(5, (6

dú)7 <g1/h
 BI-DIRECTIONAL



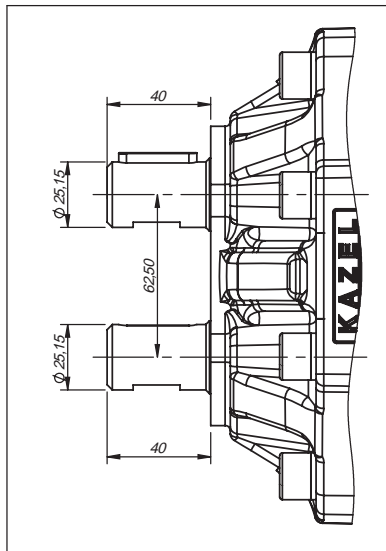
7(. 1 í. '\$7 \$TECHNICAL DATA

Kod Code	íOHWLP +DFPL Displacement FP UHY	A PP	B PP	C		\$ë,5 / ,. WEIGHT kg
				* í5 íé INLET	' £, , , é OUTLET	
'30 *\$11	.			*	μ	* μ

*\$11

7(1i\$\$

- TECHNICAL DATA



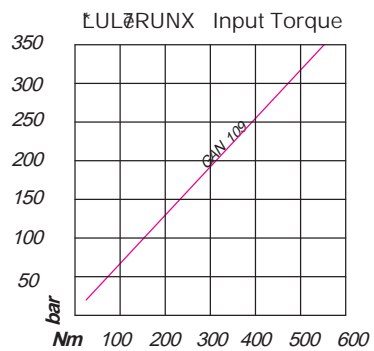
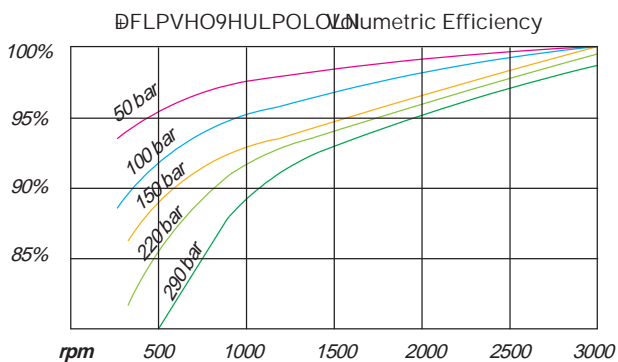
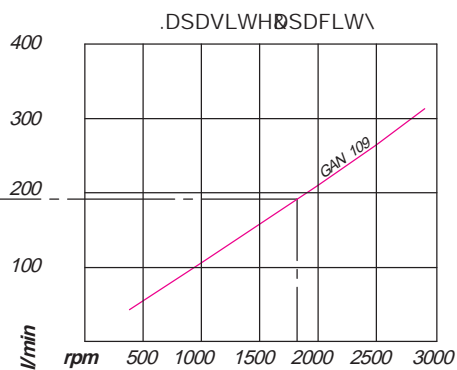
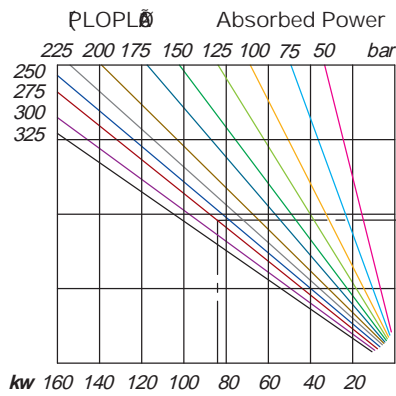
SHAFT FEATURES

Inlet Pressure	0.7 ÷ 1.5 bar
Operating Viscosity Range	-12 : 100 cSt
Operating Temperature	-10;+80;C

796(1)750
5200(1)750

Working Pressure	Contamination	Filter
EDU	12	21/18
≥ 200 bar	11	20/17

DIAGRAMS

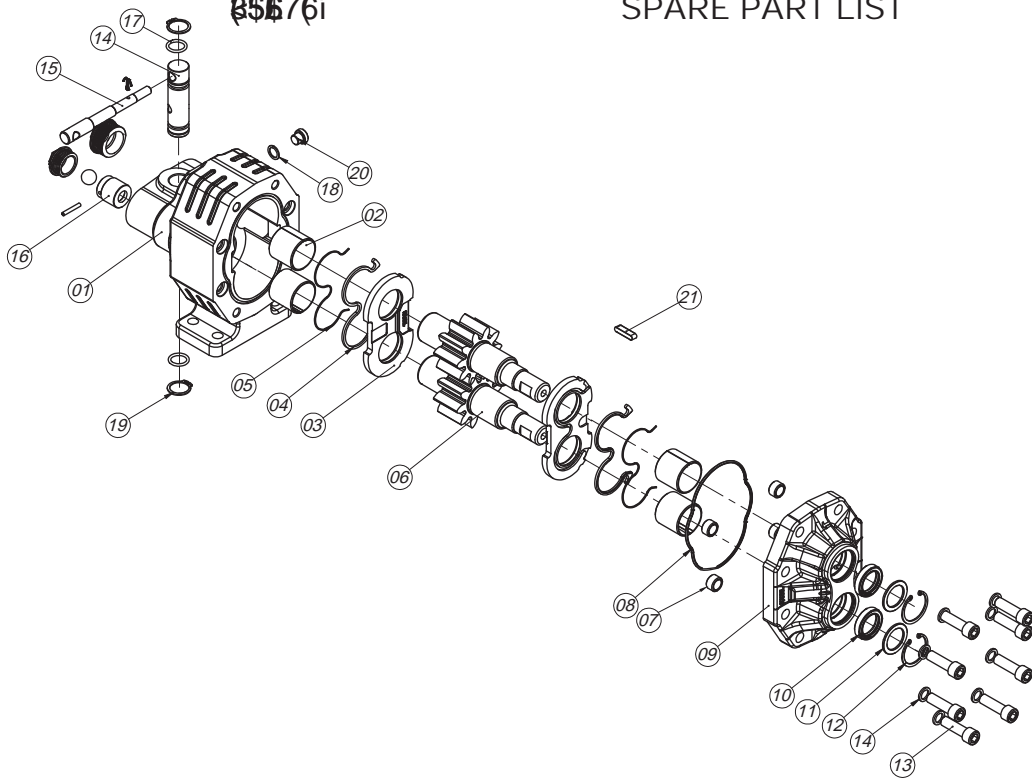


7B TYPE		\$i
Displacement	cm/n ³ cm/rev. ³	108.90
Max. Continuous Operating Pressure	bar	240
Max. Speed	min ⁻¹	2600

\$65.6

355761

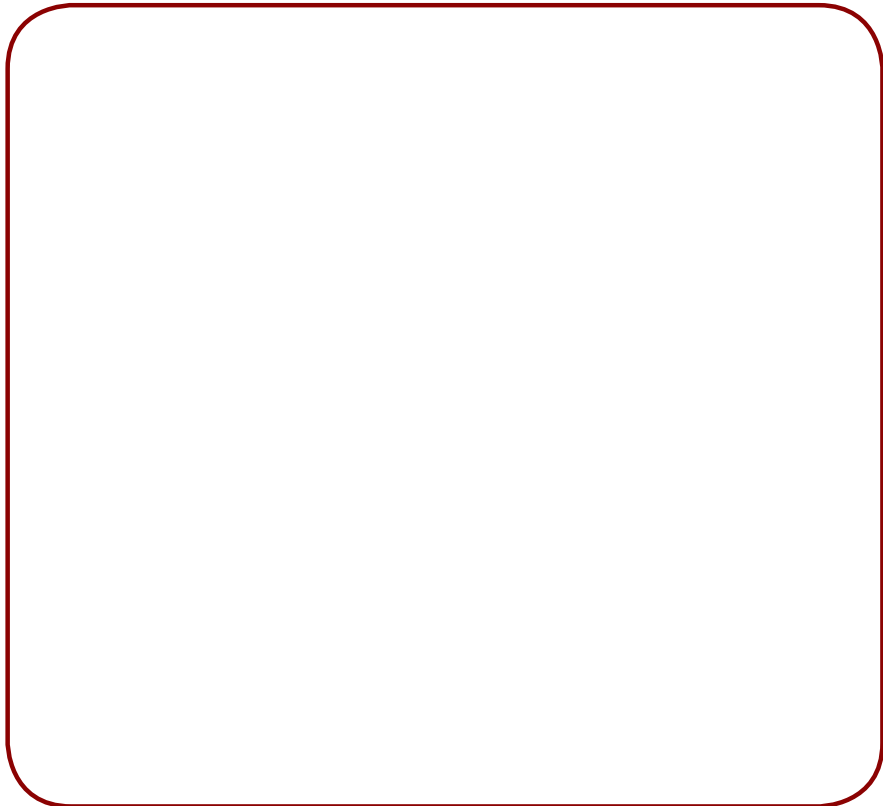
SPARE PART LIST



51(021796,
SAMPLE ASSEMBLY SCHEMA

\$65,6

Pos	Code No	Description	qty
01	000081	Gšvde - Body	1
02	200014	6 Bush	4
03	000089	30W Plate	2
04	200034	05M M-Ring	2
05	200035	05M M-Ring Segment	2
06	000090	75NDL Drive Gear	2
07	000096	6NW Body Thimble	4
08	200004	25M O-Ring	1
09	000074	...n Kapak - Front Cover	1
10	200028	6 Seal	1
11	000032	60X Seal Washer	1
12	200010	6M Segment	1
13	200008	10 Bolt	8
14	200007	30 Washer	8
15	000093	30X Piston Rot	1
16	000094	6M Thimble	1
17	200013	30M Piston O-Ring	2
18	200006	30 Washer	1
19	200002	6M Segment	2
20	000095	Tapa - Plug	1
21	200011	Kama - Wedge	1



75,

SEAL KIT

CODE NO	Description	ty	Torque Plugs	
1	Komple Ke e Tak mComplete Seal Kit eri Content	4,5,8,10,17	G 1/2	200 Nm
			G 3/4	330 Nm
			G1	480 Nm
			G1 1/4	720 Nm
			M12	120 Nm